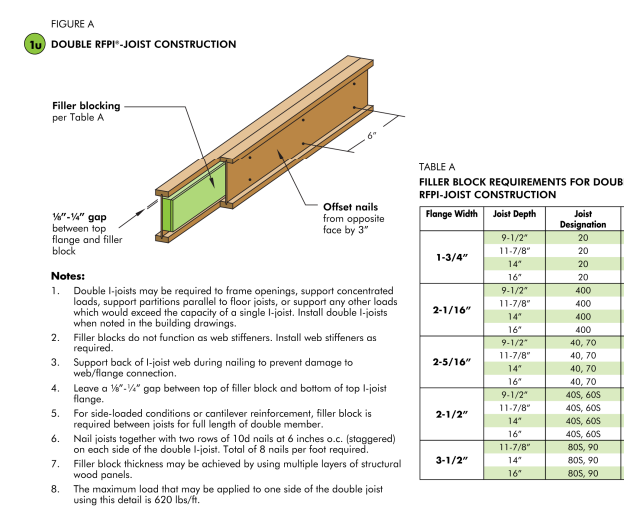
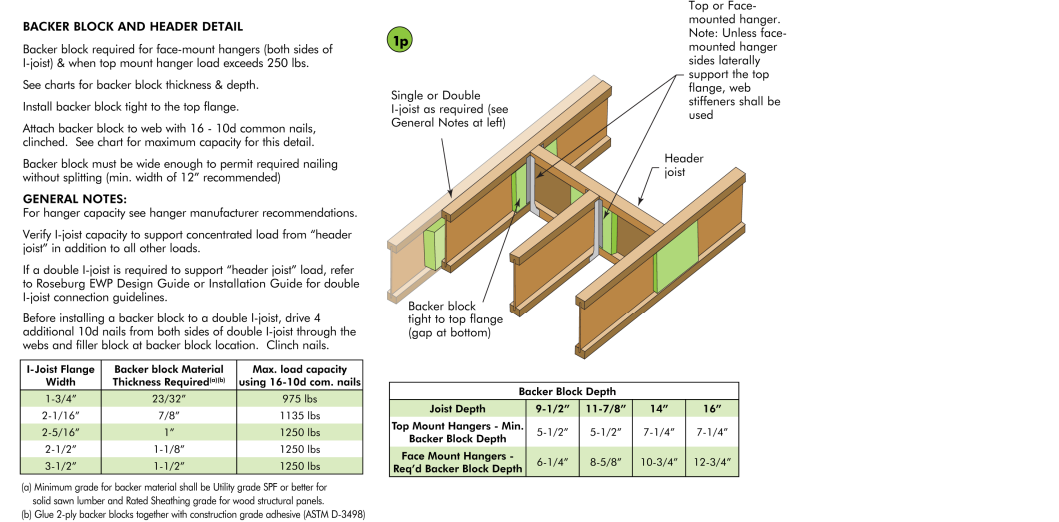


**Goldenstein Floor Material List**

| Mark            | Material          | Width   | Depth   | Quantity | Cut Length | Total Length    |              |
|-----------------|-------------------|---------|---------|----------|------------|-----------------|--------------|
| <b>Blocking</b> |                   |         |         |          |            |                 |              |
| BL1             | RFPFI 20          | 1 3/4"  | 11 7/8" | 117      | 11'        | 102'            |              |
|                 |                   |         |         |          |            | <b>Subtotal</b> | <b>102'</b>  |
| <b>Hangers</b>  |                   |         |         |          |            |                 |              |
| H1              | USP TFL23118      |         |         | 6        |            |                 |              |
| <b>Joists</b>   |                   |         |         |          |            |                 |              |
| J1              | RFPFI 70          | 2 5/16" | 11 7/8" | 54       | 36'        | 1944'           |              |
| J2              | 2-Fly RFPFI 70    | 2 5/16" | 11 7/8" | 8        | 17'        | 136'            |              |
| J3              | RFPFI 70          | 2 5/16" | 11 7/8" | 40       | 17'        | 680'            |              |
| J4              | RFPFI 70          | 2 5/16" | 11 7/8" | 2        | 13'        | 26'             |              |
| J5              | RFPFI 70          | 2 5/16" | 11 7/8" | 2        | 3'         | 6'              |              |
|                 |                   |         |         |          |            | <b>Subtotal</b> | <b>2792'</b> |
| <b>RIMs</b>     |                   |         |         |          |            |                 |              |
| R1              | 1.3E RigidRim LVL | 1 1/2"  | 11 7/8" | 14       | 24'        | 336'            |              |
|                 |                   |         |         |          |            | <b>Subtotal</b> | <b>336'</b>  |

RFPFI Joist Placement Diagram



**FLOOR LOADS**

|            |          |
|------------|----------|
| LIVE LOAD  | 40 # PSF |
| DEAD LOAD  | 15 # PSF |
| TOTAL LOAD | 55 # PSF |

**FLOOR LOADS**

|            |          |
|------------|----------|
| LIVELOAD   | 40 # PSF |
| TILE LOAD  | 27 # PSF |
| TOTAL LOAD | 67 # PSF |

**CEILING LOADS**

|           |          |
|-----------|----------|
| LIVE LOAD | 10 # PSF |
| DEAD LOAD | 10 # PSF |

**ROOF LOADS**

|            |          |
|------------|----------|
| SNOW LOAD  | 20 # PSF |
| DEAD LOAD  | 15 # PSF |
| TOTAL LOAD | 35 # PSF |

Roseburg Forest Products  
Engineered Wood Products  
Code Report Index:

- ICC ESR-1251 I-Joists
- ICC ESR-1210 LVL & LVL Rim
- City of Los Angeles RR25439 I-Joists
- City of Los Angeles RR25680 LVL
- California DSA PA 131 I-Joists
- California DSA PA 136 LVL
- California DSA AC 23-1 I-Joists
- PR-L259 (RFPFI Joists)
- PR-L289 (RigidLam LVL)
- PR-L270 (RigidLam Studs)

This I-Joist placement diagram is to supplement the architectural and structural drawings for this project. It is not intended to replace those documents. Refer to all plans and details when constructing this project. No engineer seal is required on the placement diagram.

Drafting service has created this i-joist placement diagram from architectural and structural drawings supplied by others. Verify design and product selection with architect or engineer of record. No liability is assumed by the drafting service.

**Goldenstein**  
10685 E. Rocky Hill Rd.  
Dewey, AZ.

JOB: 18-128  
SCALE: 1/4"  
DRAWN: S. Hobbs  
DATE: 5/21/2018

**Capital Lumber**  
33 North 45th Ave., Phoenix, AZ 85043  
Ph: (602) 269-6225 Fax: (602) 824-5675

SHEET: 1 OF 3

**Floor Framing**

PRODUCT PLACEMENT DRAWING by Capital Lumber  
Structural and dimensional checks shall be made by the architect or structural engineer to assure accuracy of product selection and capability. The purchaser is to check and approve all dimensions, quantities, loads and details carefully. No liability is assumed by the drafting service.

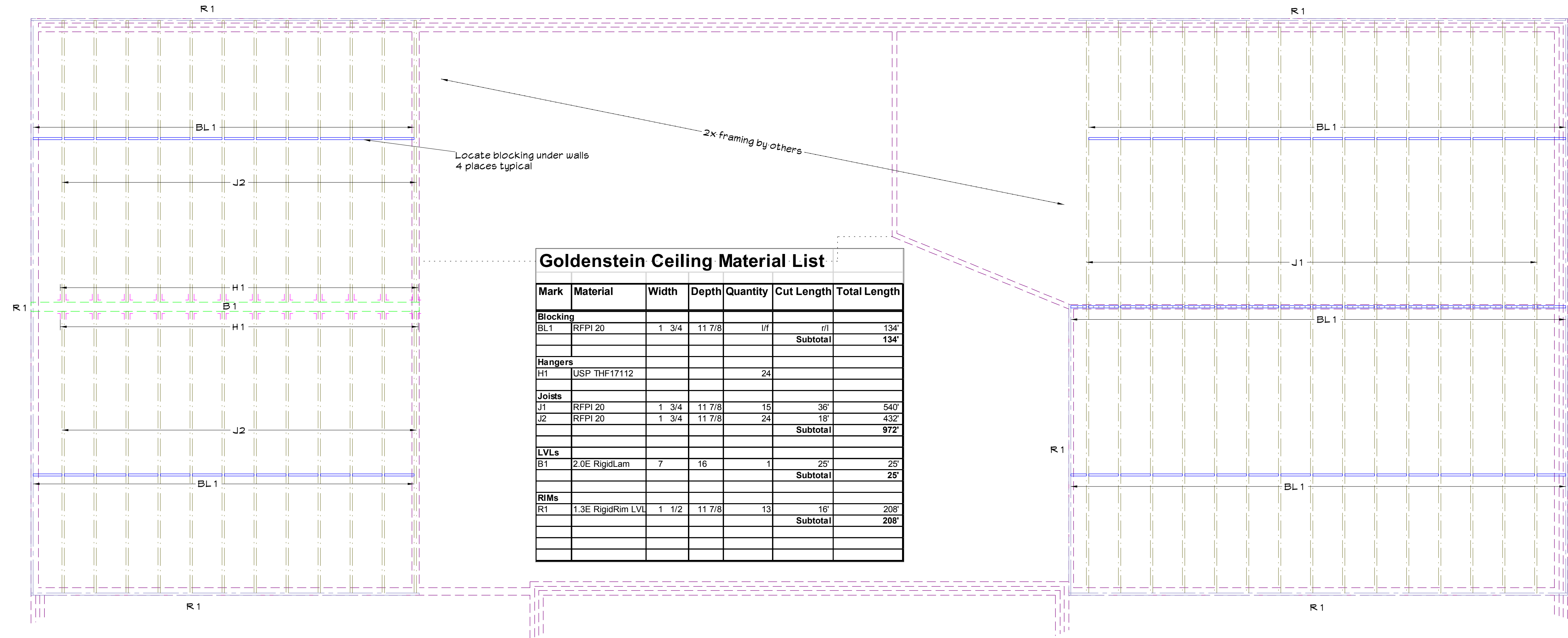
NOTE:  
ALL MEASUREMENTS TO BE VERIFIED IN THE FIELD

- Notes:**
- Please see installation guide for installation details.
  - All interior walls shown on plan are bearing.
  - Interior non-bearing walls are omitted or dashed.
  - Any deviations from this design may possibly alter engineering specifications.

**Roseburg Forest Products Disclaimer:**  
This drawing document was created using information provided by others. It is the responsibility of others to insure the accuracy, content, structural capability of the materials and to obtain the approvals necessary for the use of the products indicated. Roseburg assumes no liability for the preparation or accuracy of the drawing document.

RFPI Joist Placement Plan

Ceiling joist not designed for living or storage space



| Goldenstein Ceiling Material List |                   |       |        |          |                 |              |
|-----------------------------------|-------------------|-------|--------|----------|-----------------|--------------|
| Mark                              | Material          | Width | Depth  | Quantity | Cut Length      | Total Length |
| <b>Blocking</b>                   |                   |       |        |          |                 |              |
| BL1                               | RFPI 20           | 1 3/4 | 11 7/8 | 1/f      | r/l             | 134'         |
|                                   |                   |       |        |          | <b>Subtotal</b> | <b>134'</b>  |
| <b>Hangers</b>                    |                   |       |        |          |                 |              |
| HT                                | USP THF17112      |       |        | 24       |                 |              |
| <b>Joists</b>                     |                   |       |        |          |                 |              |
| J1                                | RFPI 20           | 1 3/4 | 11 7/8 | 15       | 36'             | 540'         |
| J2                                | RFPI 20           | 1 3/4 | 11 7/8 | 24       | 18'             | 432'         |
|                                   |                   |       |        |          | <b>Subtotal</b> | <b>972'</b>  |
| <b>LVLs</b>                       |                   |       |        |          |                 |              |
| B1                                | 2.0E RigidLam     | 7     | 16     | 1        | 25'             | 25'          |
|                                   |                   |       |        |          | <b>Subtotal</b> | <b>25'</b>   |
| <b>RIMs</b>                       |                   |       |        |          |                 |              |
| R1                                | 1.3E RigidRim LVL | 1 1/2 | 11 7/8 | 13       | 16'             | 208'         |
|                                   |                   |       |        |          | <b>Subtotal</b> | <b>208'</b>  |

Notes:

1. Please see installation guide for installation details.
2. All interior walls shown on plan are bearing.
3. Interior non-bearing walls are omitted for clarity
4. Any deviations from this design may possibly alter engineering specifications.

**Roseburg Forest Products Disclaimer:**

This drawing document was created using information provided by others. It is the responsibility of others to insure the accuracy, content, structural capability of the materials and to obtain the approvals necessary for the use of the products indicated. Roseburg assumes no liability for the preparation or accuracy of the drawing document.

Goldenstein  
10685 E Rocky Hill Rd  
Dewey, AZ.

JOB: 18-128  
SCALE: 1/4"  
DRAWN: S. Hobbs  
DATE: 5/21/2018

**Capital Lumber**

33 North 45th Ave., Phoenix, AZ 85043  
Ph: (602) 269-6225 Fax: (602) 824-5675

SHEET: **2**  
OF **3**

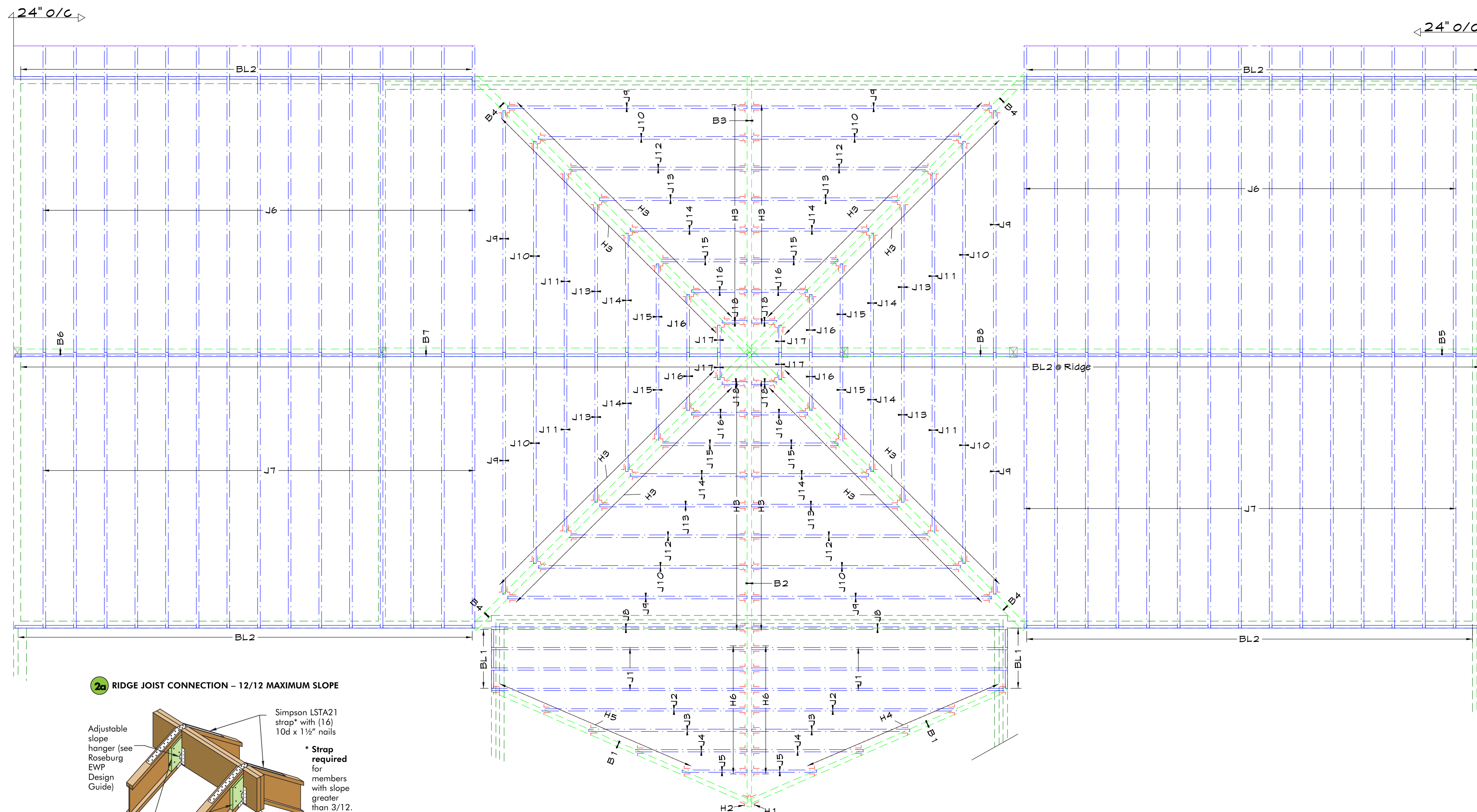
Ceiling Framing

PRODUCT PLACEMENT DRAWING by Capital Lumber  
Structural and dimensional checks shall be made by the architect or structural engineer to assure accuracy of product selection and capability. The purchaser is to check and approve all dimensions, quantities, loads and details carefully. No liability is assumed by the drafting service.

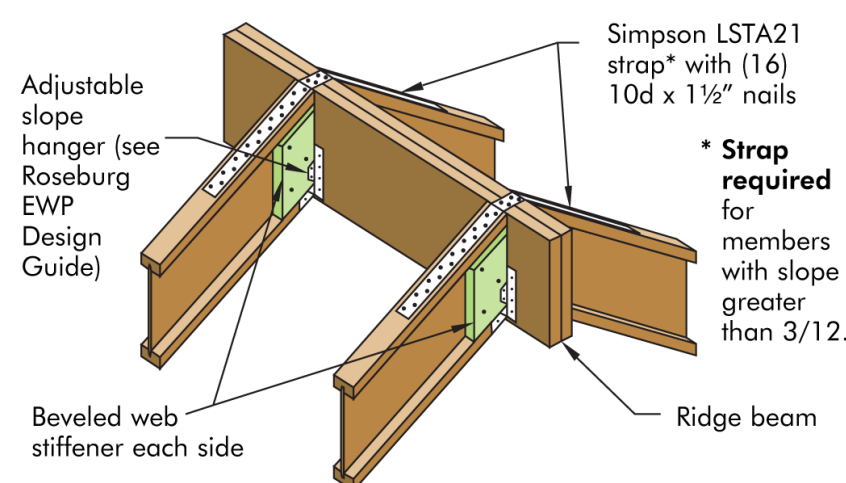
NOTE:  
ALL MEASUREMENTS  
TO BE VERIFIED  
IN THE FIELD

RFPI Joist Placement Plan

RFPI Joist Placement Plan

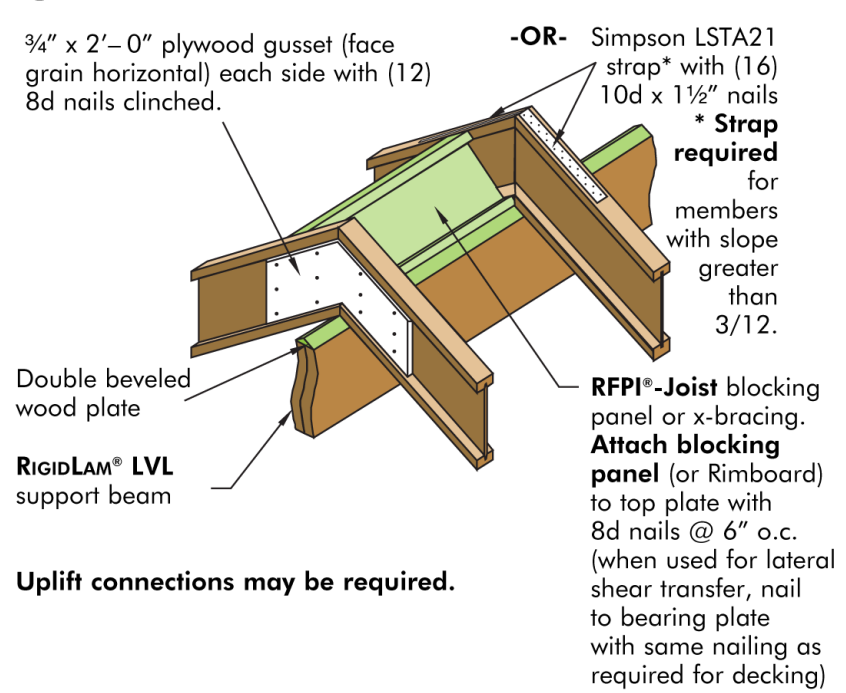


2a RIDGE JOIST CONNECTION - 12/12 MAXIMUM SLOPE

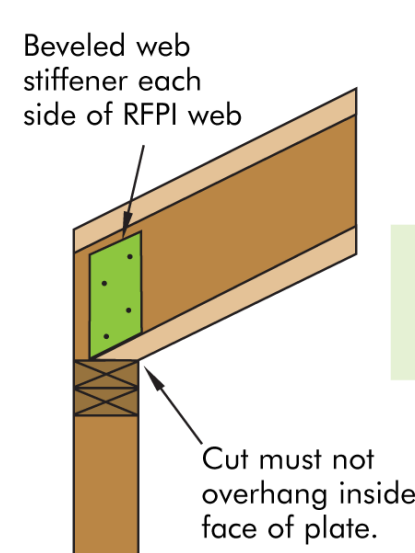


Uplift connections may be required.

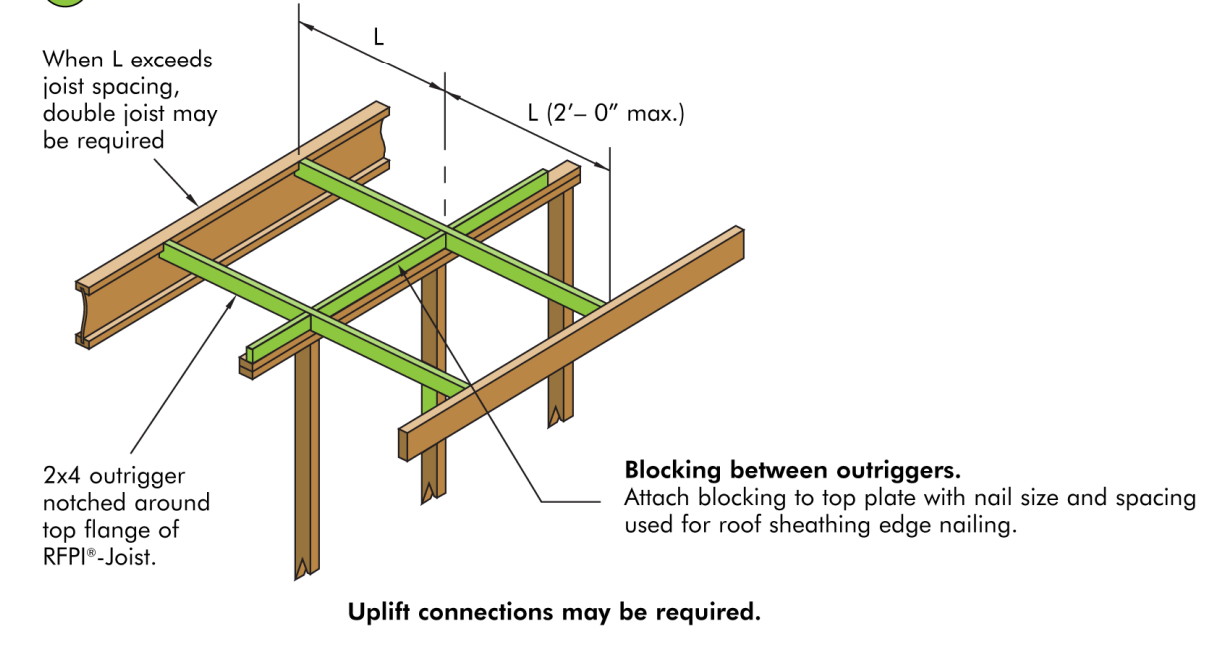
2c RFPI-JOISTS ABOVE RIDGE SUPPORT BEAM



2d sim. BIRDSMOUTH CUT, NO OVERHANG - LOW END OF RFPI-JOIST ONLY



2m OVERHANG PARALLEL TO RFPI-JOIST



RFPI Joist Placement Plan

Goldenstein Roof Material List

| Mark            | Material                  | Width  | Depth  | Quantity | Cut Length | Total Length |
|-----------------|---------------------------|--------|--------|----------|------------|--------------|
| <b>Blocking</b> |                           |        |        |          |            |              |
| BL1             | RFPI 20                   | 1 3/4  | 9 1/2  | lf       | nl         | 8'           |
|                 |                           |        |        |          | Subtotal   | 8'           |
| BL2             | RFPI 400                  | 2 1/16 | 16     | lf       | nl         | 200'         |
|                 |                           |        |        |          | Subtotal   | 200'         |
| <b>Hangers</b>  |                           |        |        |          |            |              |
| H1              | USP HDQ412IF_SK24R_SL34D* |        |        | 1        |            |              |
| H2              | USP HDQ412IF_SK24L_SL34D* |        |        | 1        |            |              |
| H3              | USP LSSH20                |        |        | 100      |            |              |
| H4              | USP THF17925_SK66R_SL34U* |        |        | 5        |            |              |
| H5              | USP THF17925_SK66L_SL34U* |        |        | 5        |            |              |
| H6              | USP LSSH179               |        |        | 14       |            |              |
| <b>Joists</b>   |                           |        |        |          |            |              |
| J1              | RFPI 20                   | 1 3/4  | 9 1/2  | 6        | 21'        | 126'         |
| J2              | RFPI 20                   | 1 3/4  | 9 1/2  | 2        | 17'        | 34'          |
| J3              | RFPI 20                   | 1 3/4  | 9 1/2  | 2        | 13'        | 26'          |
| J4              | RFPI 20                   | 1 3/4  | 9 1/2  | 2        | 10'        | 20'          |
| J5              | RFPI 20                   | 1 3/4  | 9 1/2  | 2        | 6'         | 12'          |
|                 |                           |        |        |          | Subtotal   | 218'         |
| J6              | RFPI 400                  | 2 1/16 | 16     | 30       | 25'        | 750'         |
| J7              | RFPI 400                  | 2 1/16 | 16     | 30       | 23'        | 690'         |
| J8              | RFPI 400                  | 2 1/16 | 16     | 2        | 21'        | 42'          |
| J9              | RFPI 400                  | 2 1/16 | 16     | 8        | 20'        | 160'         |
| J10             | RFPI 400                  | 2 1/16 | 16     | 8        | 18'        | 144'         |
| J11             | RFPI 400                  | 2 1/16 | 16     | 4        | 16'        | 64'          |
| J12             | RFPI 400                  | 2 1/16 | 16     | 4        | 15'        | 60'          |
| J13             | RFPI 400                  | 2 1/16 | 16     | 8        | 13'        | 104'         |
| J14             | RFPI 400                  | 2 1/16 | 16     | 8        | 11'        | 88'          |
| J15             | RFPI 400                  | 2 1/16 | 16     | 8        | 8'         | 64'          |
| J16             | RFPI 400                  | 2 1/16 | 16     | 8        | 6'         | 48'          |
| J17             | RFPI 400                  | 2 1/16 | 16     | 4        | 4'         | 16'          |
| J18             | RFPI 400                  | 2 1/16 | 16     | 4        | 3'         | 12'          |
|                 |                           |        |        |          | Subtotal   | 2242'        |
| <b>Beams</b>    |                           |        |        |          |            |              |
| B1              | 2.0E RigidLam             | 3 1/2  | 11 7/8 | 2        | 23'        | 46'          |
|                 |                           |        |        |          | Subtotal   | 46'          |
| B2              | 2.0E RigidLam             | 3 1/2  | 16     | 1        | 30'        | 30'          |
| B3              | 2.0E RigidLam             | 3 1/2  | 16     | 1        | 18'        | 18'          |
|                 |                           |        |        |          | Subtotal   | 48'          |
| B4              | 2.0E RigidLam             | 5 1/4  | 16     | 4        | 30'        | 120'         |
|                 |                           |        |        |          | Subtotal   | 120'         |
| B5              | 24F V4 GLB                | 5 1/8  | 24     | 1        | 31'        | 31'          |
| B6              | 24F V4 GLB                | 5 1/8  | 24     | 1        | 25'        | 25'          |
|                 |                           |        |        |          | Subtotal   | 56'          |
| B7              | 24F V4 GLB                | 6 3/4  | 24     | 1        | 31'        | 31'          |
| B8              | 24F V4 GLB                | 6 3/4  | 24     | 1        | 12'        | 12'          |
|                 |                           |        |        |          | Subtotal   | 43'          |

- Notes:
1. Please see installation guide for installation details.
  2. All interior walls shown on plan are bearing.
  3. Interior non-bearing walls are omitted for clarity
  4. Any deviations from this design may possibly alter engineering specifications.

**Roseburg Forest Products Disclaimer:**  
 This drawing document was created using information provided by others. It is the responsibility of others to insure the accuracy, content, structural capability of the materials and to obtain the approvals necessary for the use of the products indicated. Roseburg assumes no liability for the preparation or accuracy of the drawing document.

Goldenstein  
 10685 E Rocky Hill Rd  
 Dewey, AZ.

JOB: 18-128  
 SCALE: 1/4"  
 DRAWN: S. Hobbs  
 DATE: 5/21/2018

**Capital Lumber**  
 33 North 45th Ave., Phoenix, AZ 85043  
 Ph: (602) 269-6225 Fax: (602) 824-5675

SHEET: **3**  
 OF 3

PRODUCT PLACEMENT DRAWING by Capital Lumber  
 Structural and dimensional checks shall be made by the architect or structural engineer to assure accuracy of product selection and capability. The purchaser is to check and approve all dimensions, quantities, loads and details carefully. No liability is assumed by the drafting service.

**Roof Framing**

NOTE:  
 ALL MEASUREMENTS TO BE VERIFIED IN THE FIELD